

[www.shawsofdarwen.com](http://www.shawsofdarwen.com)  
Tel: 01254 775111

WASTES MADE IN ITALY BY **XLIRA**

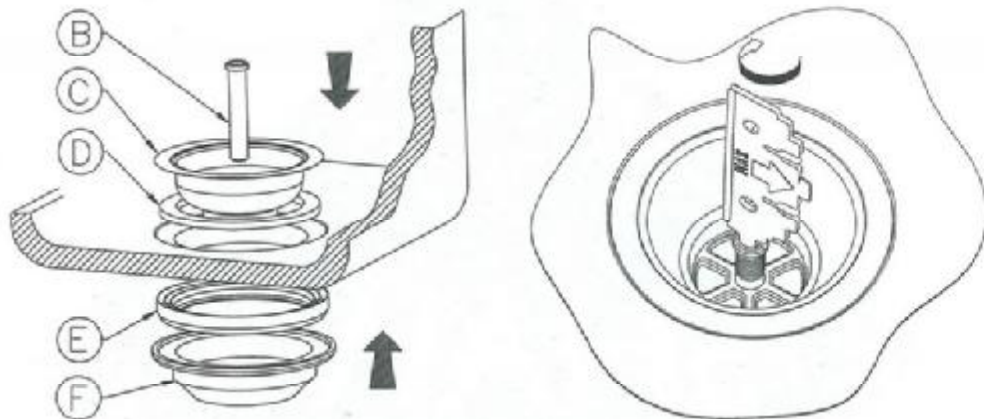


## Shaws of Darwen

### Fitting Instructions for a Shaws Basket Strainer Waste

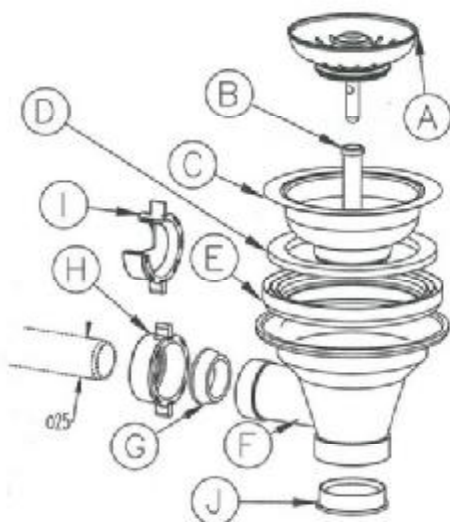
#### For Use with the following Sinks

- Shaws Original Collection
- Shaws Classic Collection
- Shaws Insets & Under mounts

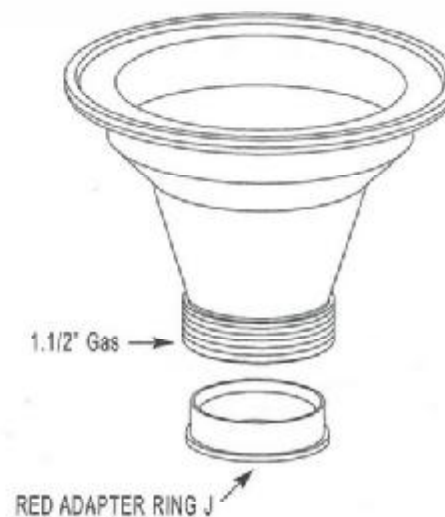


### INSTALLATION GUIDE FOR FLANGE AND BODY

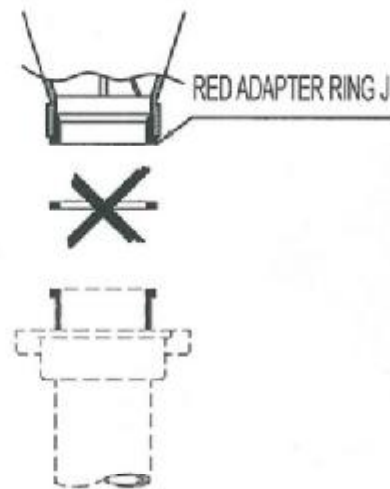
- Mount the Stainless Steel Basket © in sink with white gasket ©.
- Below sink: Place the black gasket © and the plastic body © in place.
- Insert the bolt © from above the sink and tighten with The Special Key.



- A – Stainless Steel Basket Grill Plug
- B – Central Screw mm 61 (2.42")
- C – Stainless Steel Basket
- D – PEX Gasket 109x85x5
- E – PVC Gasket – 295B
- F – Plastic Waste – 2946 UK
- G – Reducing Gasket 30-25 – 248U
- H – Overflow Nut – 2012
- I – Overflow Nut Plug – 2016
- J – Red Adapter Ring



Ø40 EU  
WITH RED ADAPTER RING J



Ø41.5 UK  
WITHOUT RED ADAPTER RING J

